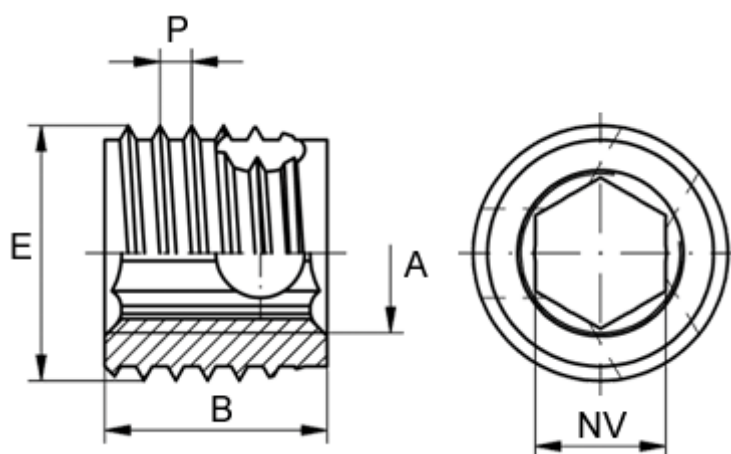


Article number: 12307200050110

Description: KLEE-coil 307 200 050.110  
M5 Hardened/zinc-plated steel with hexagon

## Measures



Female thread A	= M5
Length B	= 7
Male thread E	= 8
Min hole depth blind hole	= 9
Min material thickness	= 7
sw	= -
Thread pitch P	= 1
Type	= 307 200 050 ...